



Selection: Semi-hermetic Reciprocating Compressors

Input Values

Compressor model Mode	(2GC-2.2Y) Refrigeration and Air conditioning	Suction gas temperature Operating mode	20,00 °C Auto
Refrigerant	R404A	Power supply	400V-3-50Hz
Reference temperature	Dew point temp.	Capacity control	100%
Liq. subc. (in condenser)	0 K	Useful superheat	100%

Result

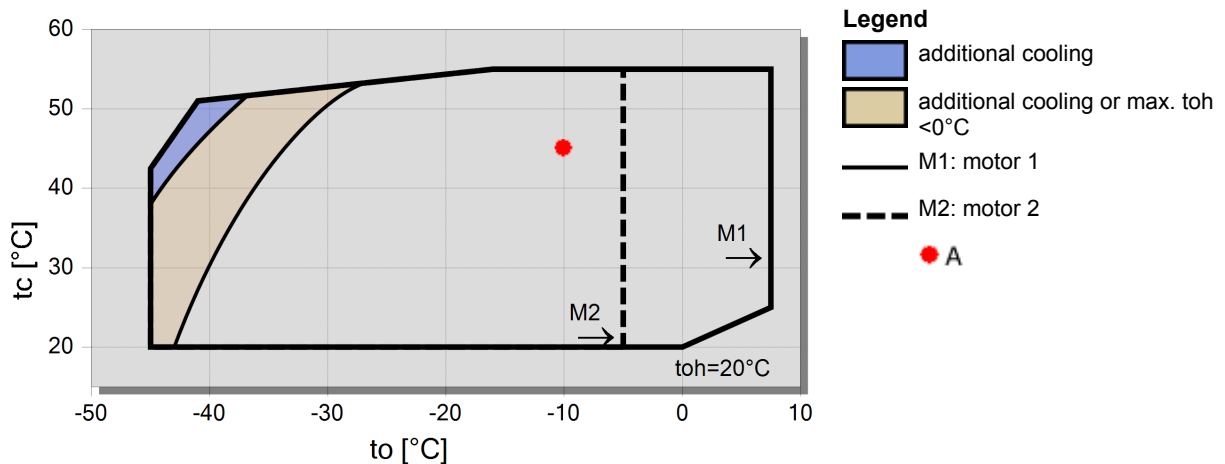
Q [W]	Cooling capacity	COP [-]	COP/EER
Qu* [W]	Evaporator capacity	m [kg/h]	Mass flow
P [kW]	Power input	Op.	Operating mode
I [A]	Current	th [°C]	Discharge gas temp. w/o cooling
Qc [W]	Condenser capacity		

tc	to	15°C	5°C	-5°C	-15°C	-25°C	-35°C	-45°C	-55°C
30°C	Q [W]	--	8227	5728	3846	2445	1423	696	--
	Qu* [W]	--	8227	5728	3846	2445	1423	696	--
	P [kW]	--	1,67	1,60	1,45	1,23	0,96	0,66	--
	I [A]	--	3,41	3,33	3,17	2,95	2,70	2,49	--
	Qc [W]	--	9897	7326	5292	3673	2384	1357	--
	COP [-]	--	4,93	3,58	2,66	1,99	1,48	1,05	--
	m [kg/h]	--	212	143,9	94,9	59,5	34,3	16,68	--
	Op.	--	Standard	Standard	Standard	Standard	Standard	Standard	--
	th [°C]	--	58,4	72,3	88,3	107,9	133,3	0	--
40°C	Q [W]	--	6910	4792	3188	1990	1114	490	--
	Qu* [W]	--	6910	4792	3188	1990	1114	490	--
	P [kW]	--	2,00	1,83	1,59	1,30	0,96	0,61	--
	I [A]	--	3,80	3,60	3,32	3,01	2,71	2,47	--
	Qc [W]	--	8915	6624	4778	3285	2078	1103	--
	COP [-]	--	3,45	2,62	2,01	1,54	1,16	0,80	--
	m [kg/h]	--	201	135,7	88,4	54,4	30,1	13,17	--
	Op.	--	Standard	Standard	Standard	Standard	Standard	Standard	--
	th [°C]	--	70,1	84,4	101,0	121,4	0	0	--
50°C	Q [W]	--	5645	3893	2556	1555	824	--	--
	Qu* [W]	--	5645	3893	2556	1555	824	--	--
	P [kW]	--	2,33	2,05	1,72	1,35	0,96	--	--
	I [A]	--	4,19	3,86	3,47	3,07	2,70	--	--
	Qc [W]	--	7973	5948	4281	2909	1783	--	--
	COP [-]	--	2,42	1,89	1,48	1,15	0,86	--	--
	m [kg/h]	--	191,5	127,7	81,9	49,0	25,6	--	--
	Op.	--	Standard	Standard	Standard	Standard	Standard	--	--
	th [°C]	--	82,4	97,2	114,7	136,8	0	--	--

-- No calculation possible (see message in single point selection)

*According to EN12900 (20°C suction gas temp., 0K liquid subcooling)

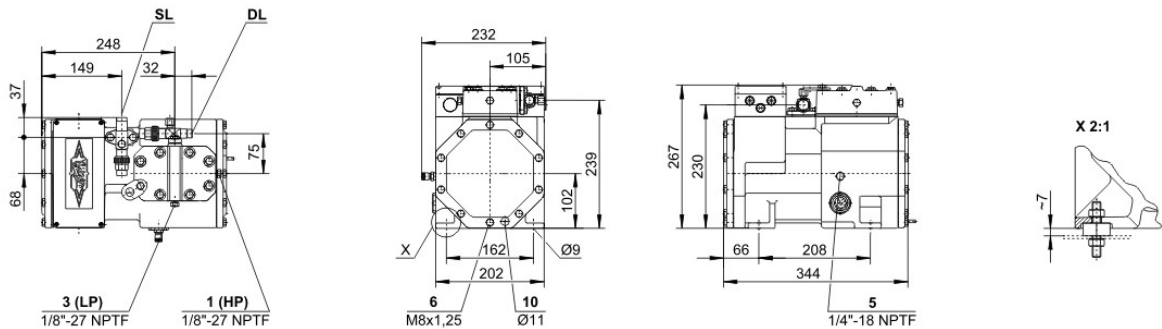
Application Limits 100% Octagon 2GC-2.2





Technical Data: (2GC-2.2Y)

Dimensions and Connections



Technical Data

Technical Data

Displacement (1450 RPM 50Hz)	7,58 m ³ /h
Displacement (1750 RPM 60Hz)	9,15 m ³ /h
No. of cylinder x bore x stroke	2 x 41 mm x 33 mm
Weight	45 kg
Max. pressure (LP/HP)	19 / 28 bar
Connection suction line	16 mm - 5/8"
Connection discharge line	12 mm - 1/2"
Oil type R134a/R407C/R404A/R507A/R407A/R407F	tc<55°C: BSE32 tc>55°C: BSE55 (Option)
Oil type R22 (R12/R502)	B5.2 (Standard)
Oil type R290/R1270	SHC226E (Standard)

Motor data

Motor voltage (more on request)	380-420V Y-3-50Hz
Max operating current	4.7 A
Starting current (Rotor locked)	22.5 A
Max. Power input	2,7 kW

Extent of delivery (Standard)

Motor protection	SE-B1
Enclosure class	IP65
Vibration dampers	Standard
Oil charge	1,00 dm ³

Available Options

Additional fan	Option
Crankcase heater	0.60 W PTC (Option)

Sound measurement

Sound power level (+5°C / 50°C)	64,0 dB(A) @ 50Hz
Sound power level (-10°C / 45°C)	63,0 dB(A) @ 50Hz
Sound power level (-35°C / 40°C)	63,5 dB(A) @ 50Hz
Sound pressure level @ 1m (+5°C / 50°C)	56,0 dB(A) @ 50Hz
Sound pressure level @ 1m (-10°C / 45°C)	55,0 dB(A) @ 50Hz
Sound pressure level @ 1m (-35°C / 40°C)	55,5 dB(A) @ 50Hz